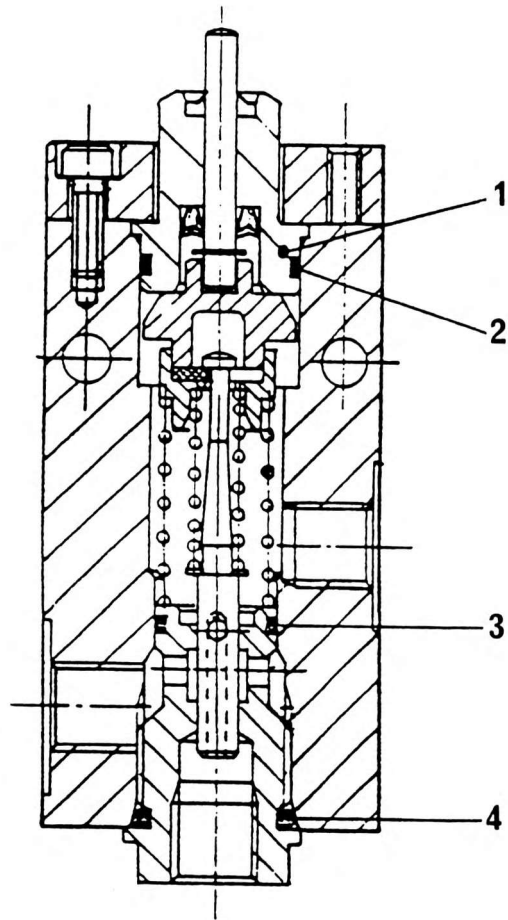


VALVE PILOT CONTROL



NO.	PART NO.	QTY.	DESCRIPTION	NO.	PART NO.	QTY.	DESCRIPTION
-	7-926-990447	1	Complete Assembly				
*	9-926-107711	1	Seal Kit				
1	9-352-100397	1	Guide & Pusher				
2	*	1	'O' Ring				
3	*	1	'O' Ring				
4	*	1	'O' Ring				

7-926-990447
Issue No. 00